

#### ⚠ WARNING

Please install this stand according to the manual.  
Failure to secure this stand properly may result in injury or damage to the attached tablet.

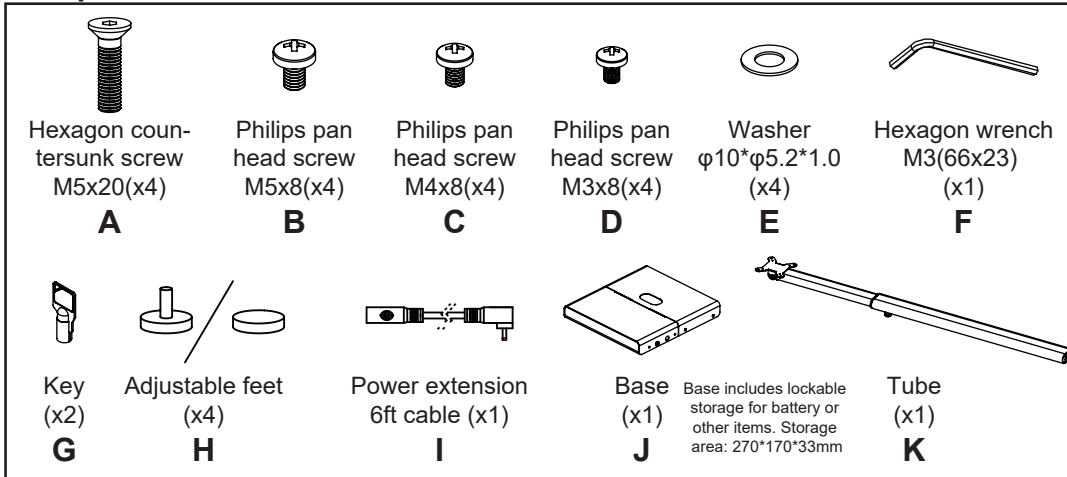
#### Height adjustable:

38.0" ~65.0" ( 96.5 cm ~ 165 cm )

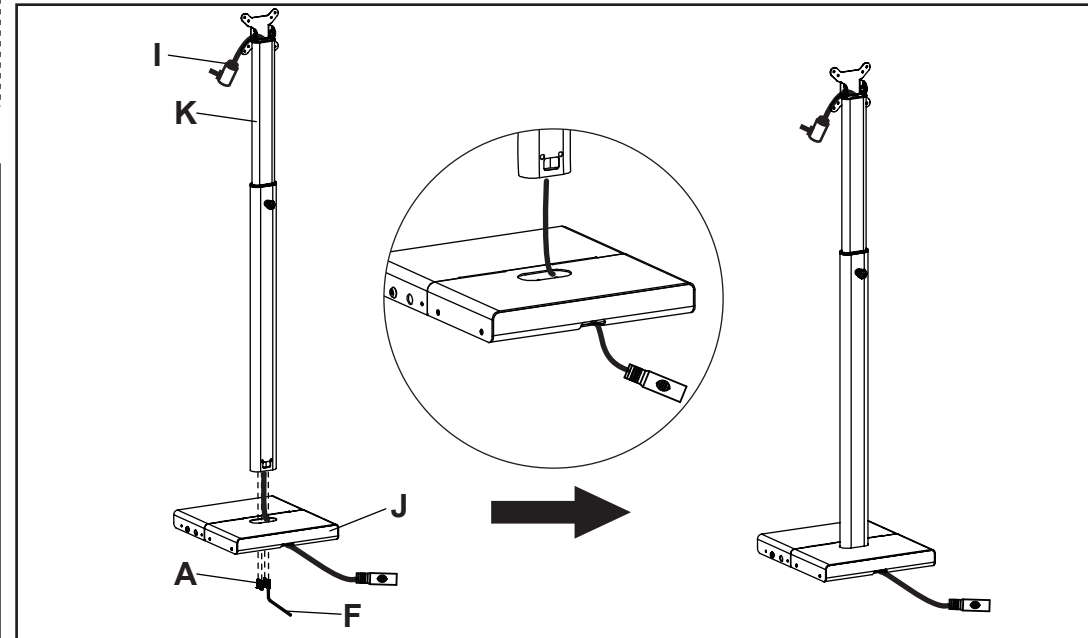
#### Stand weight:

28.4 lbs (12.9kg)

#### Components :

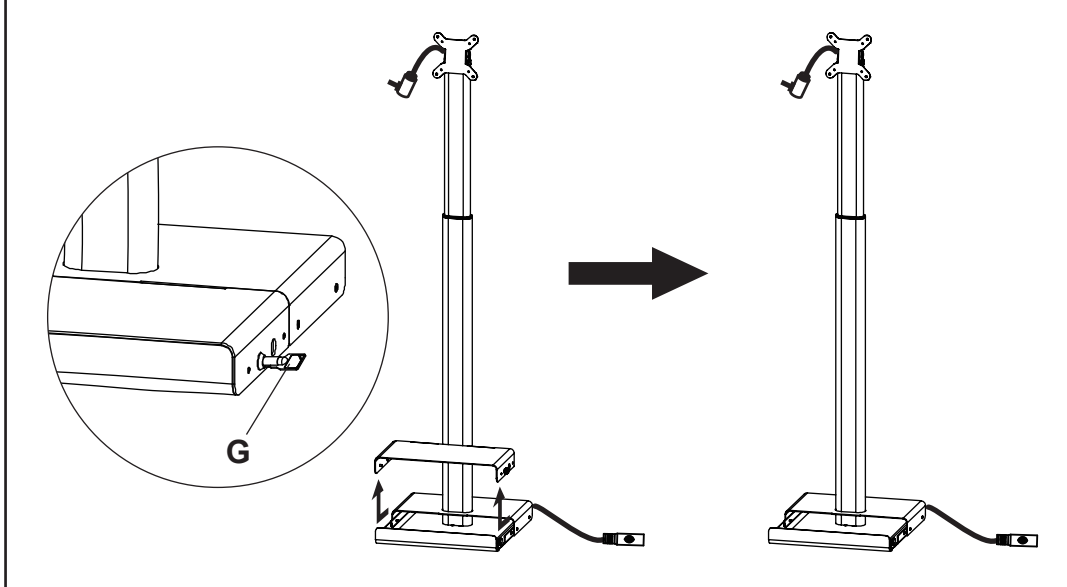


#### Step 1: Install the tube ( Place power extension cable )

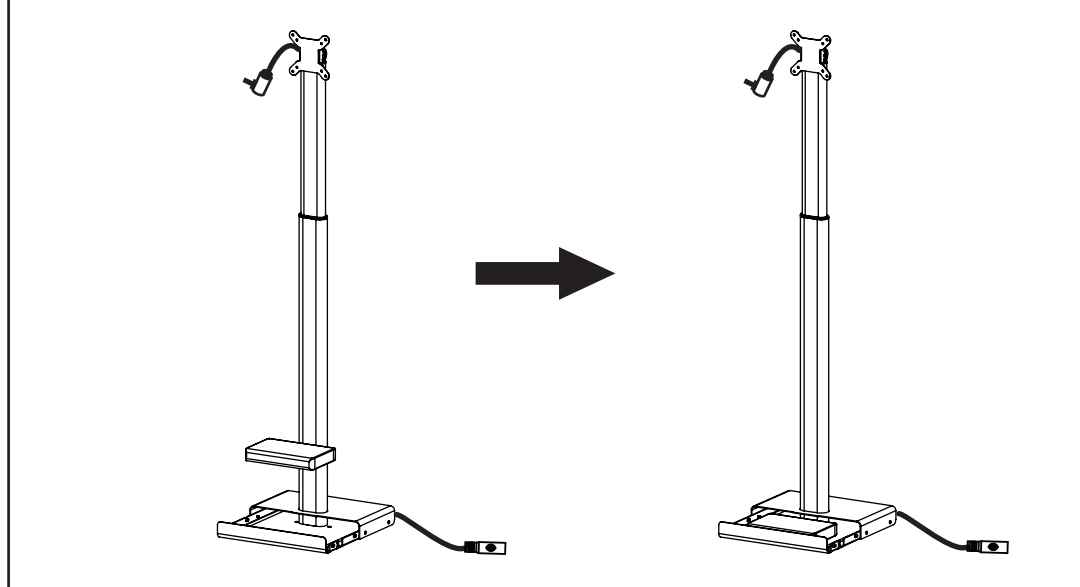


#### Step 2: Place the battery in the base (if applicable)

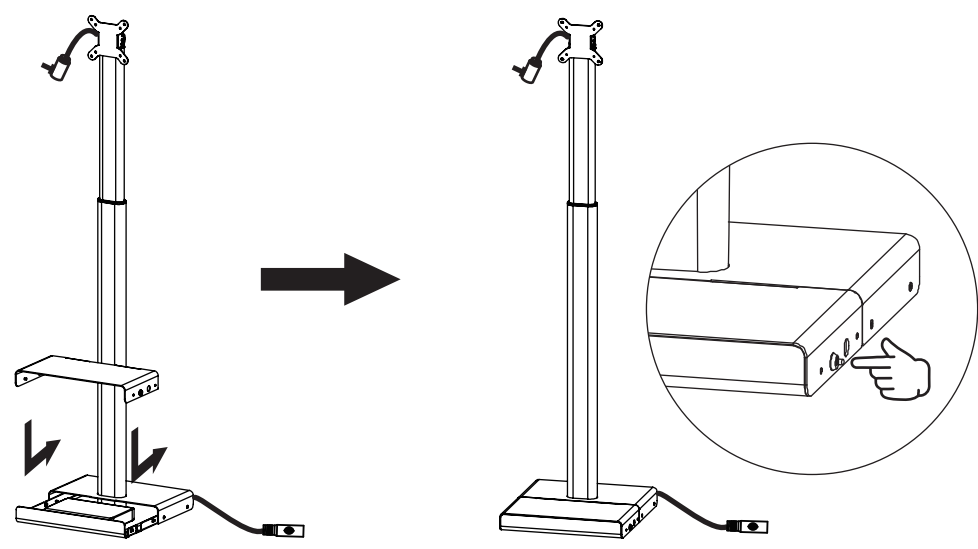
##### 2.1 Open the base cover



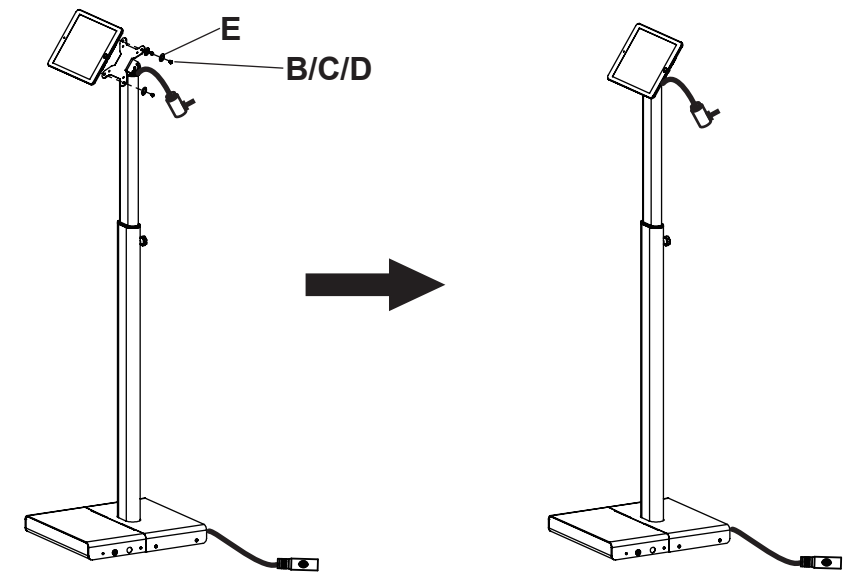
##### 2.2 Place battery (optional accessory) if applicable



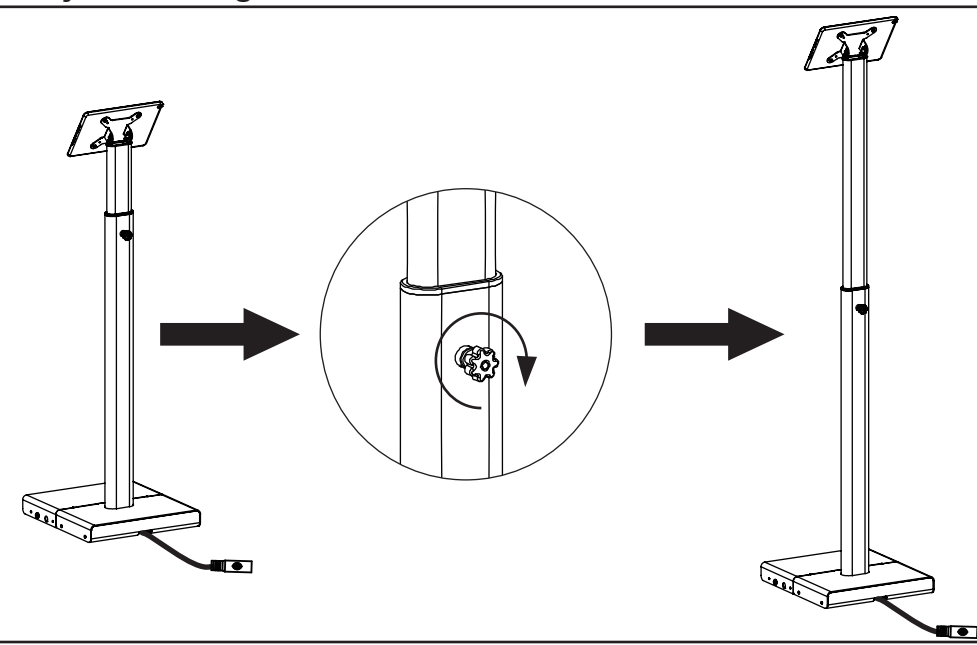
### 2.3 Lock the base cover



### Step 3: Mounting display



### Step 4: Adjust the height



### Step 5: Install adjust feet or optional casters (APS-2-CS)

